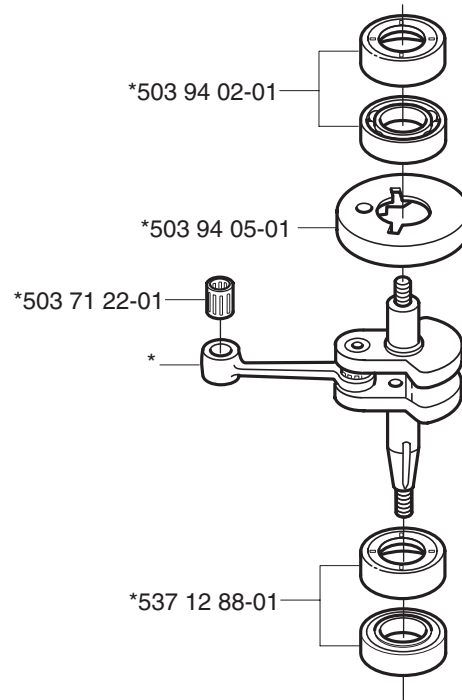
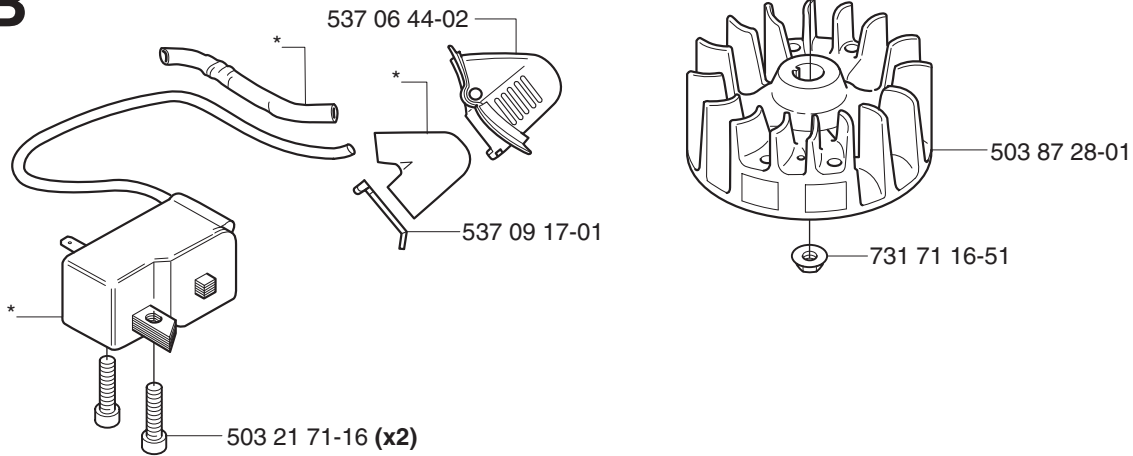
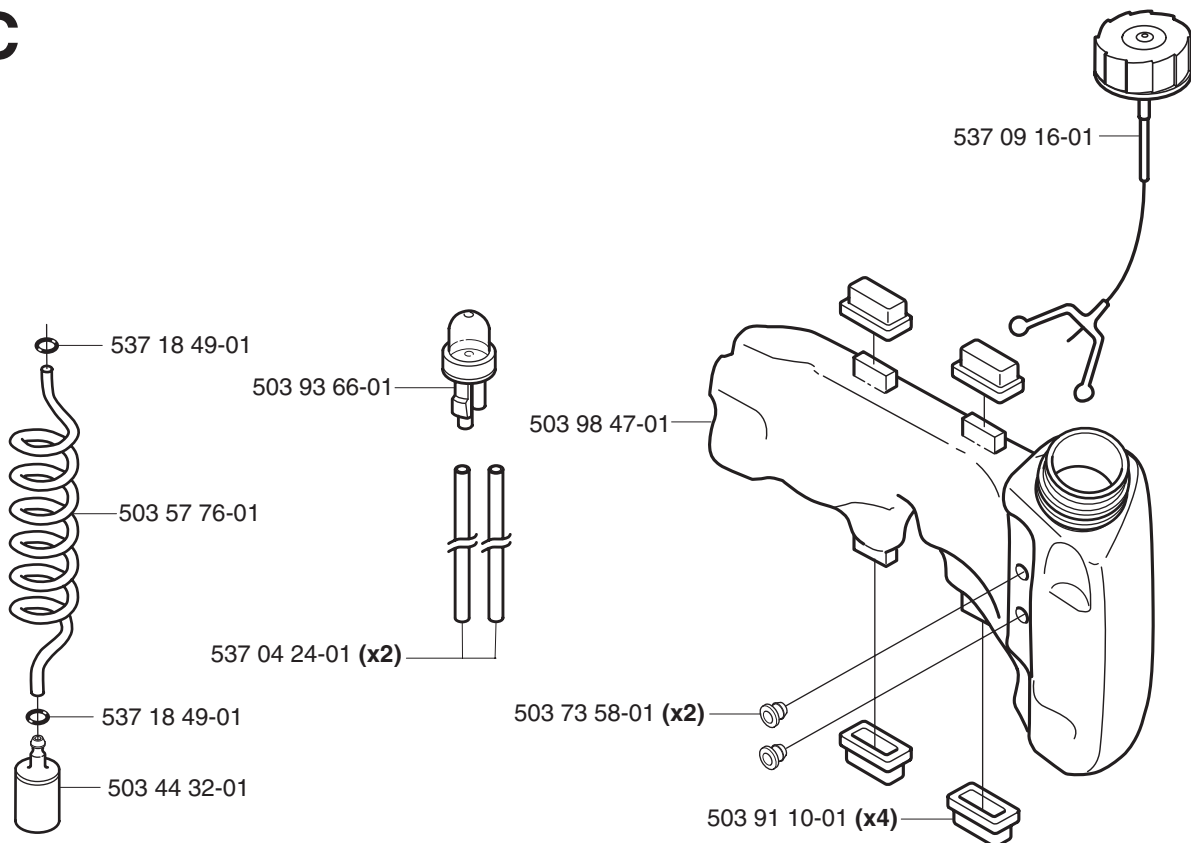


**A**

\*compl 537 12 81-73

**B**

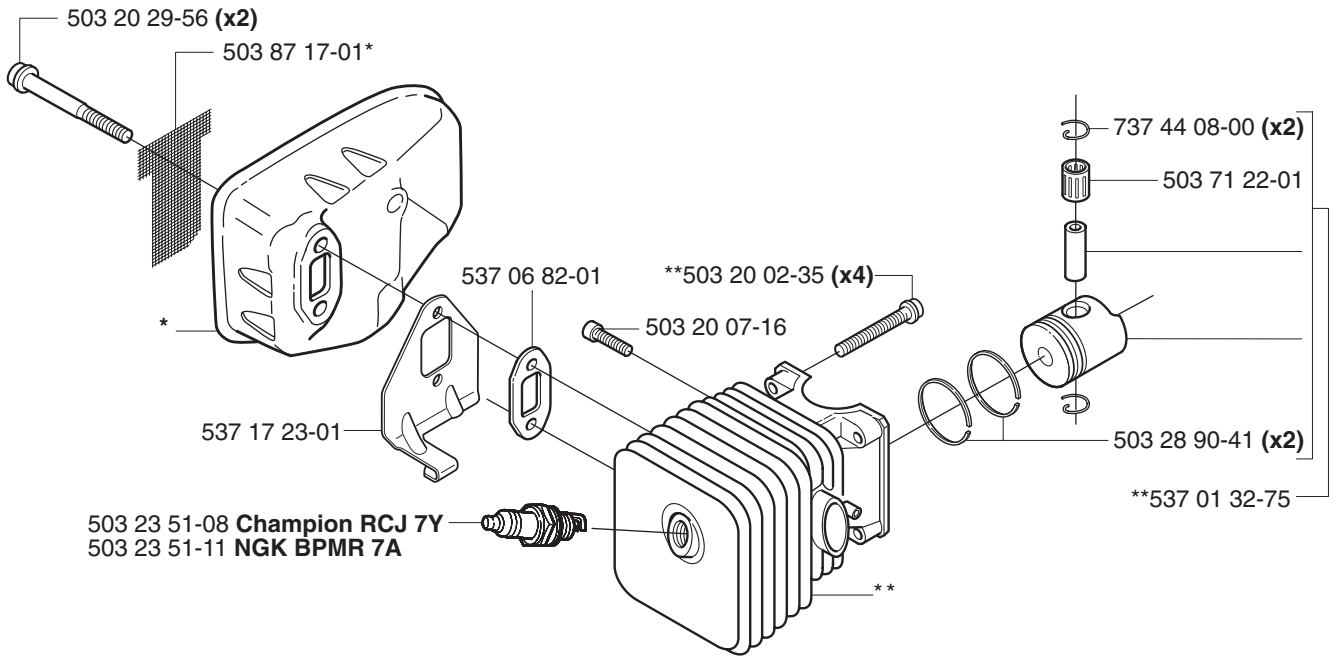
\*compl 537 02 53-01

**C**

# D

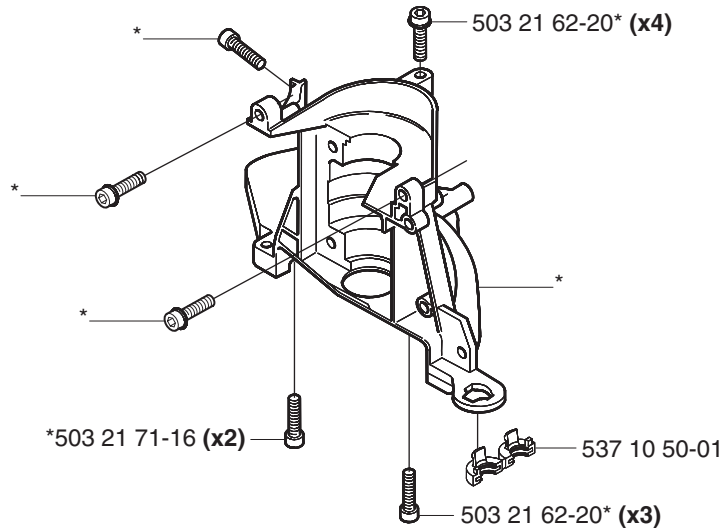
\*compl 537 04 57-01

\*\*compl 537 03 20-05

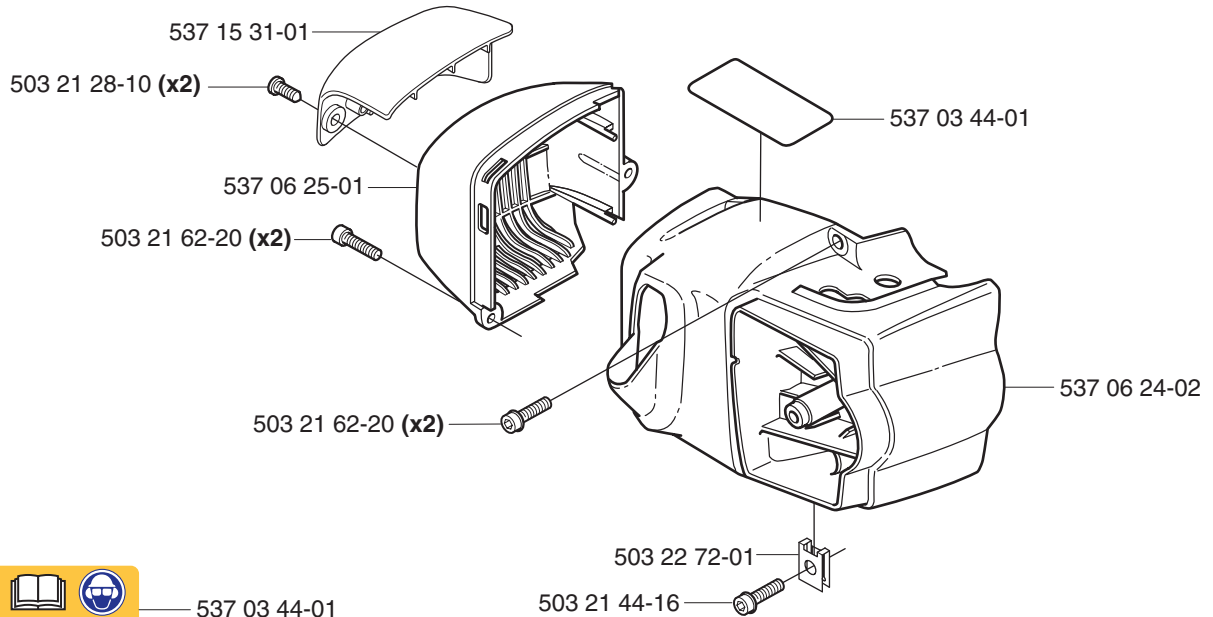


# E

\*compl 537 04 11-01

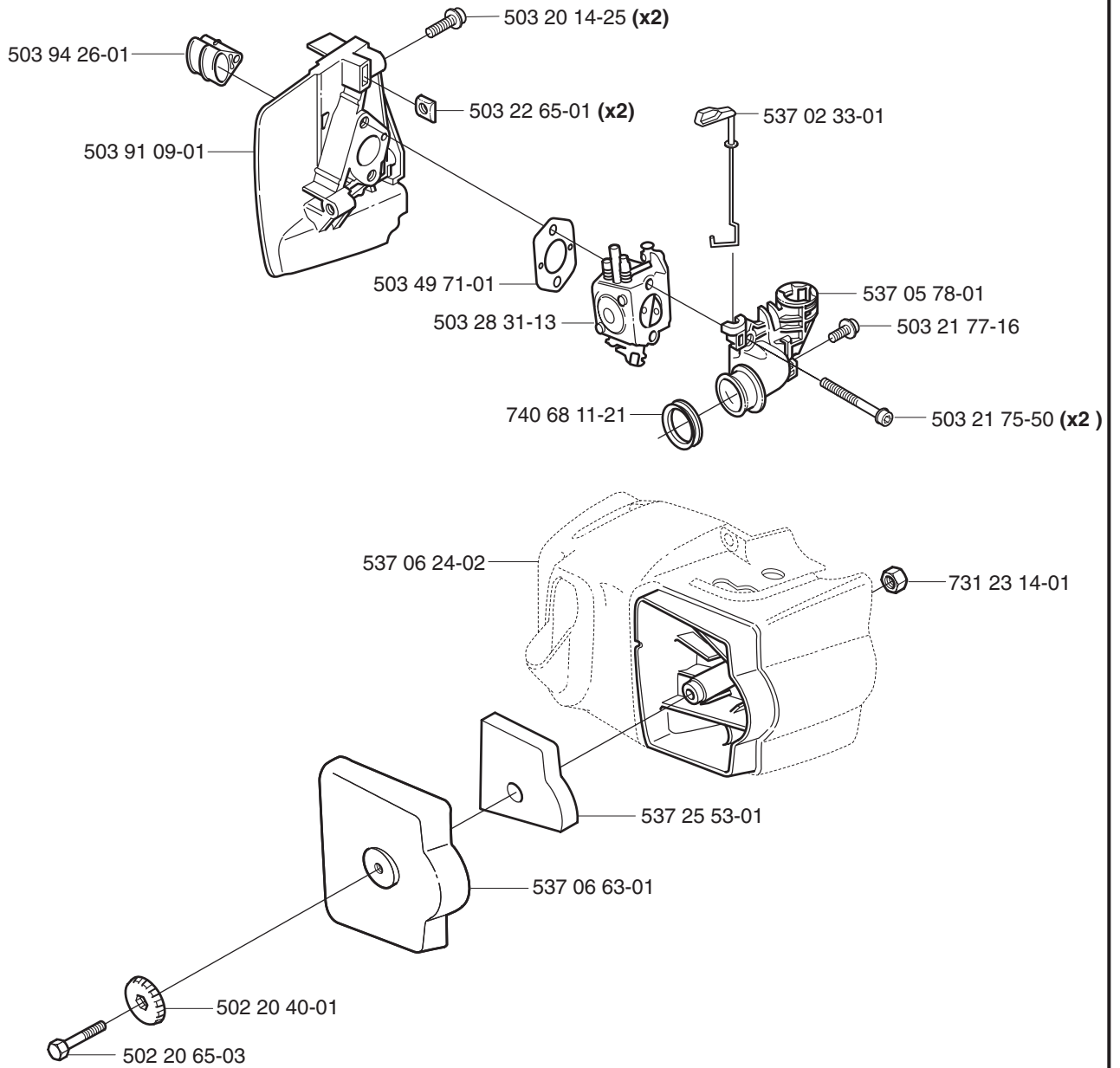


# F



537 03 44-01

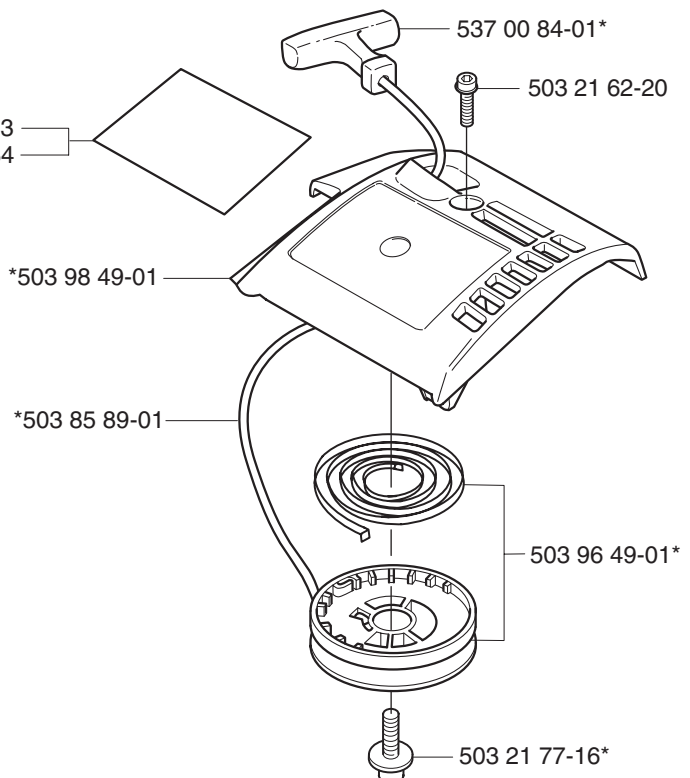
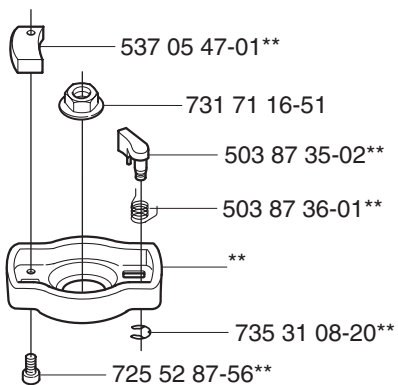
503 21 44-16

**G****H**

\*compl 503 85 28-02

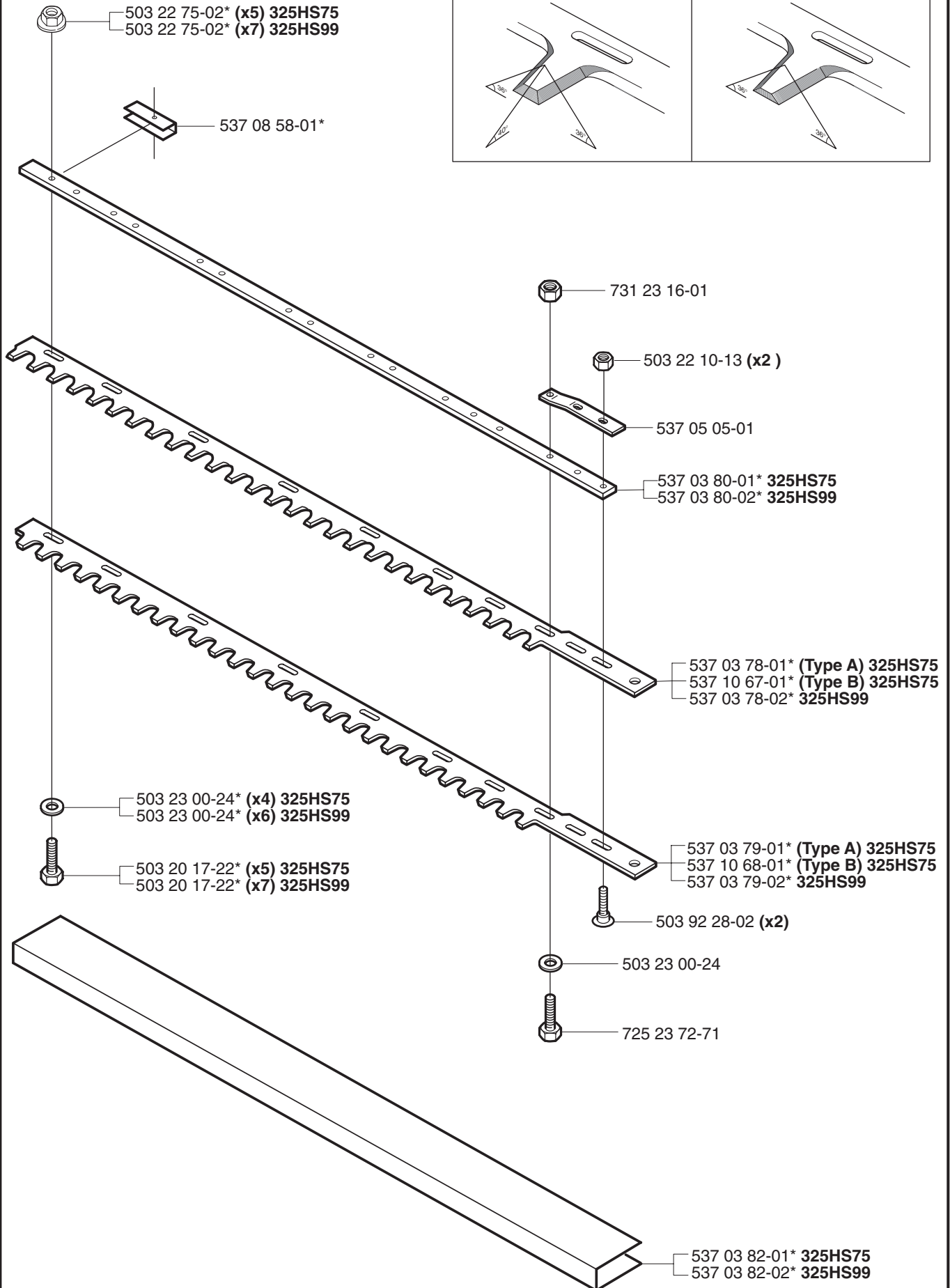
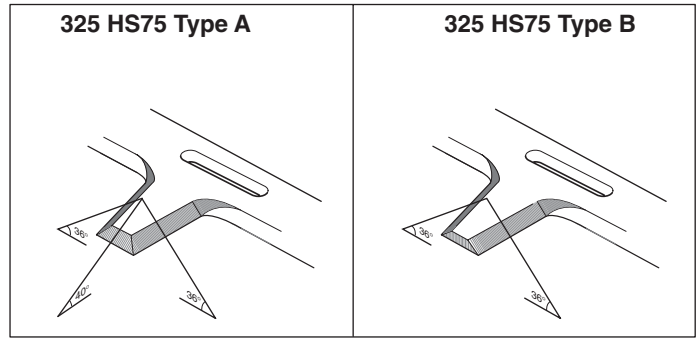
503 97 98-33 **325HS75**503 97 98-33  
503 97 98-34503 97 98-34 **325HS99**

\*\*compl 503 87 33-03



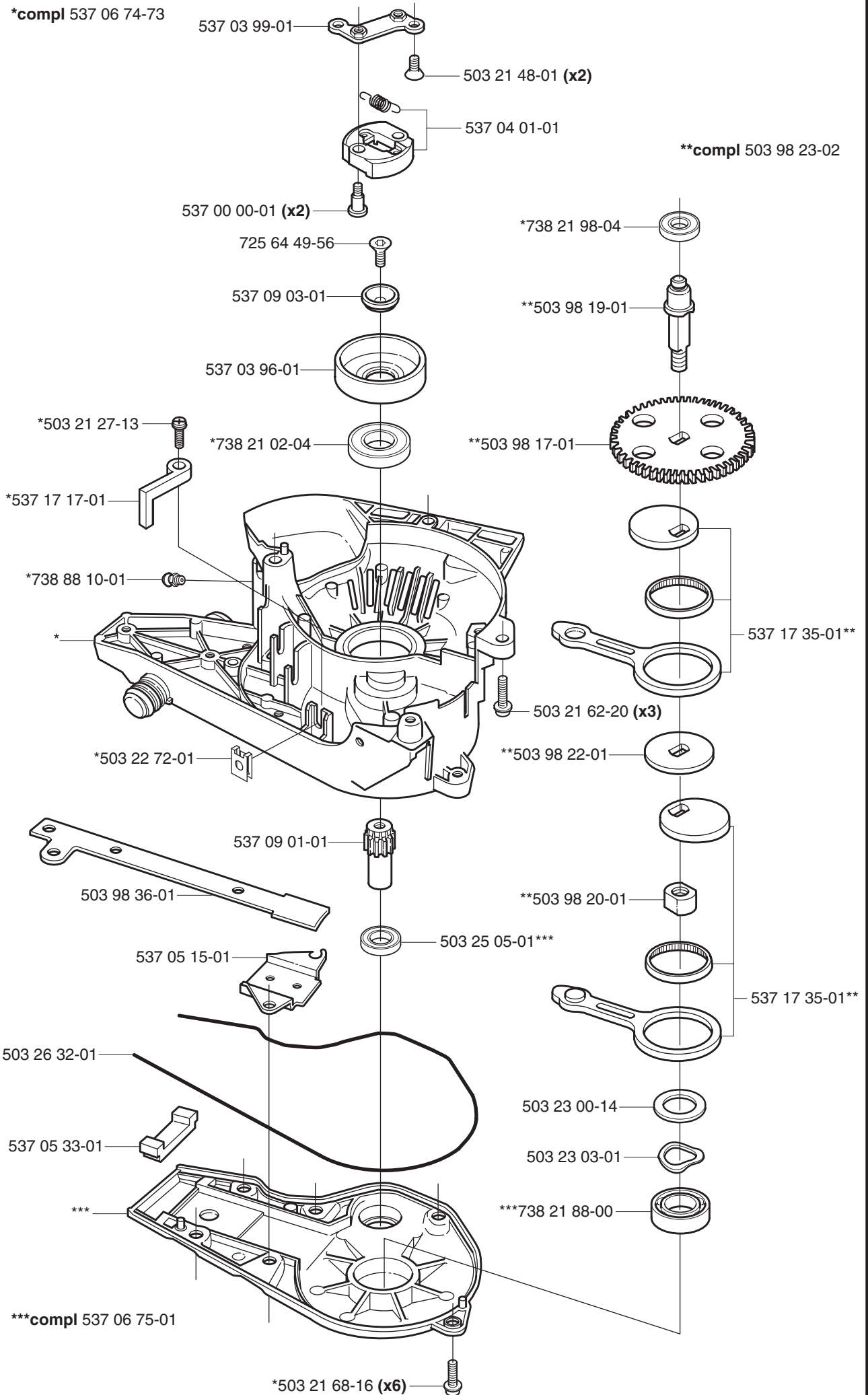
**J**

\*compl 537 03 77-01 (Type A) 325HS75  
\*compl 537 03 77-03 (Type B) 325HS75  
\*compl 537 03 77-02 325HS99



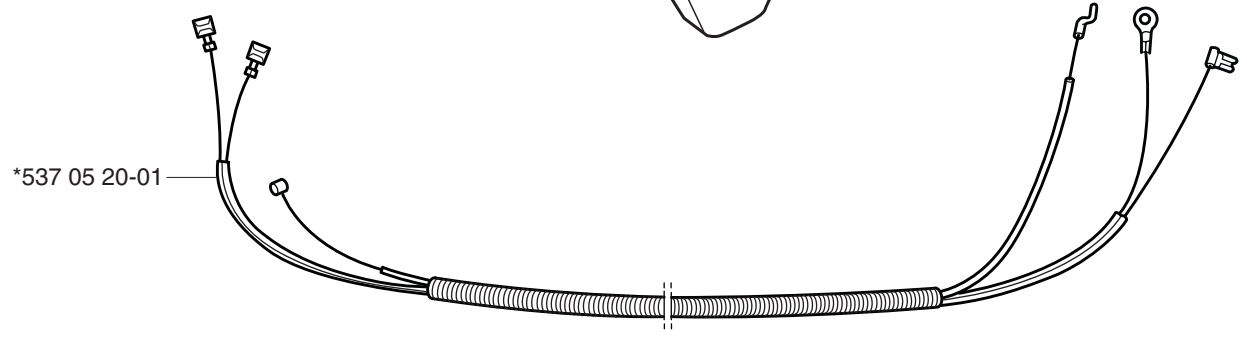
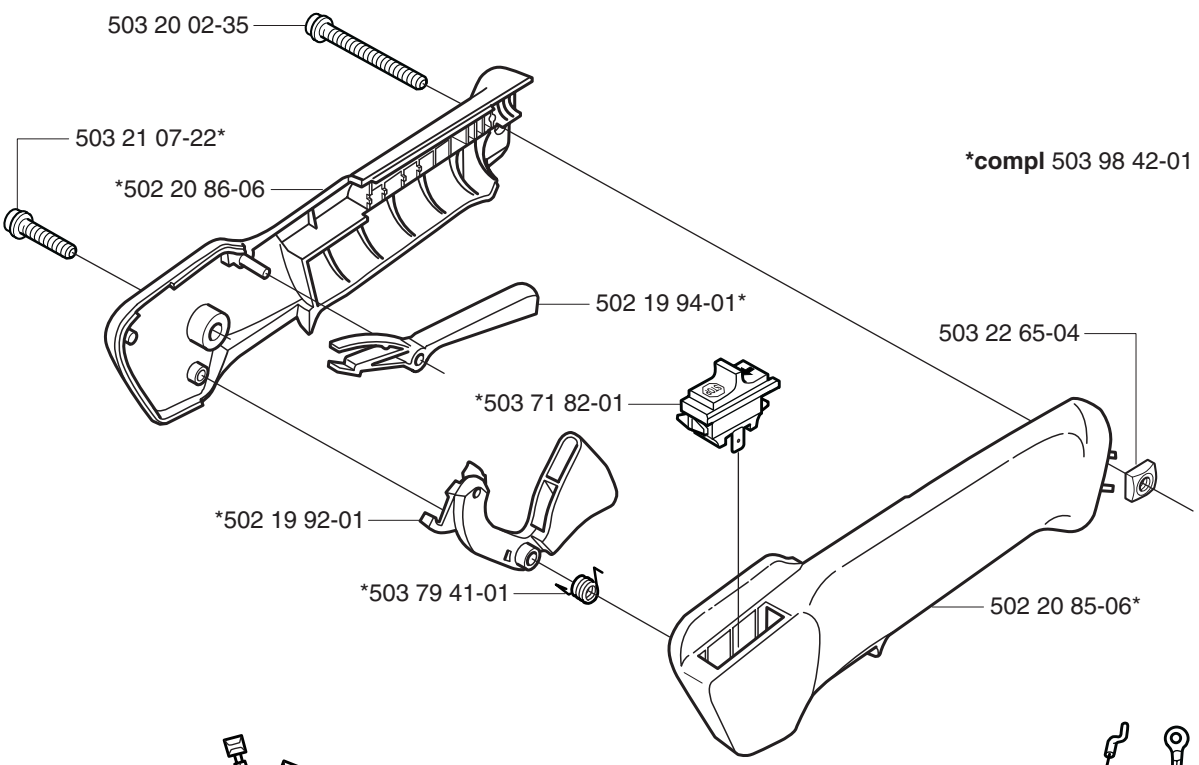
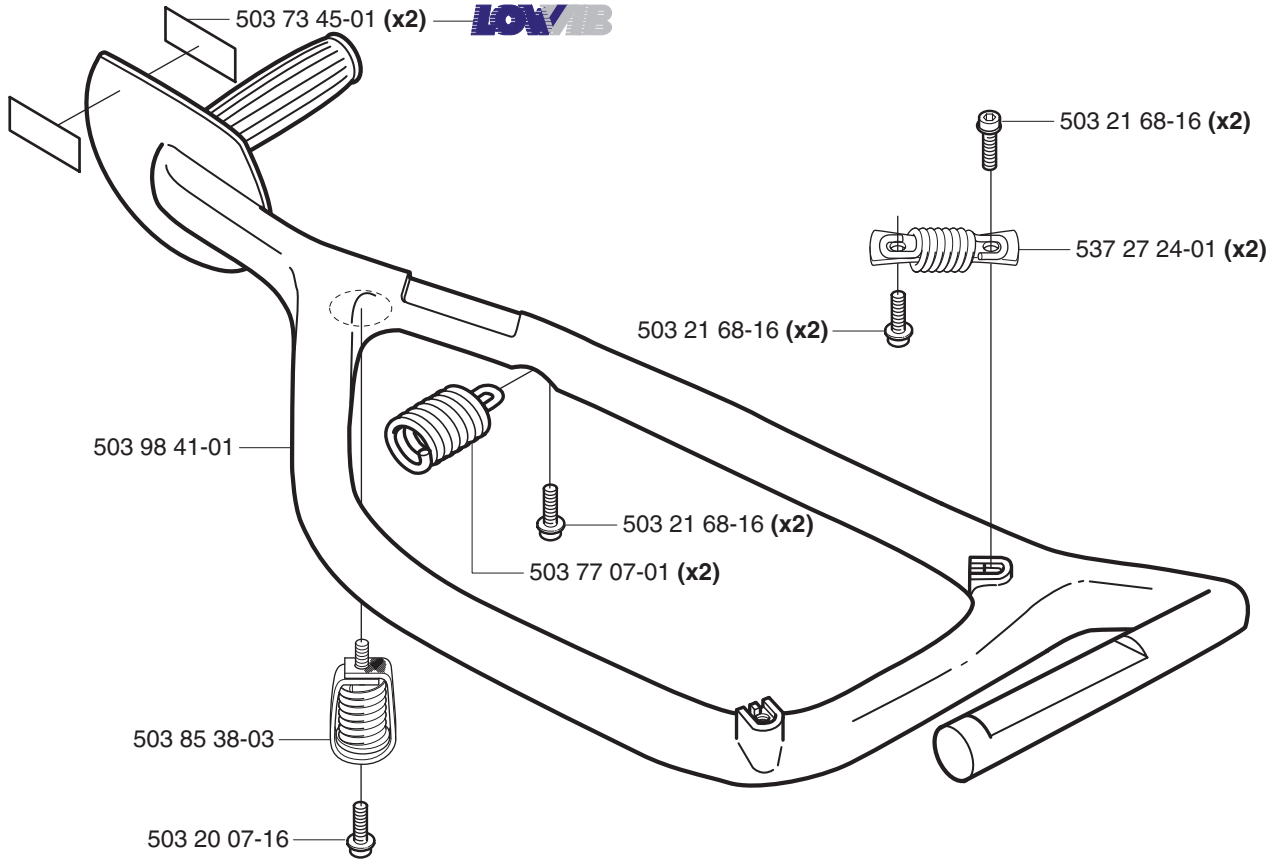
**K**

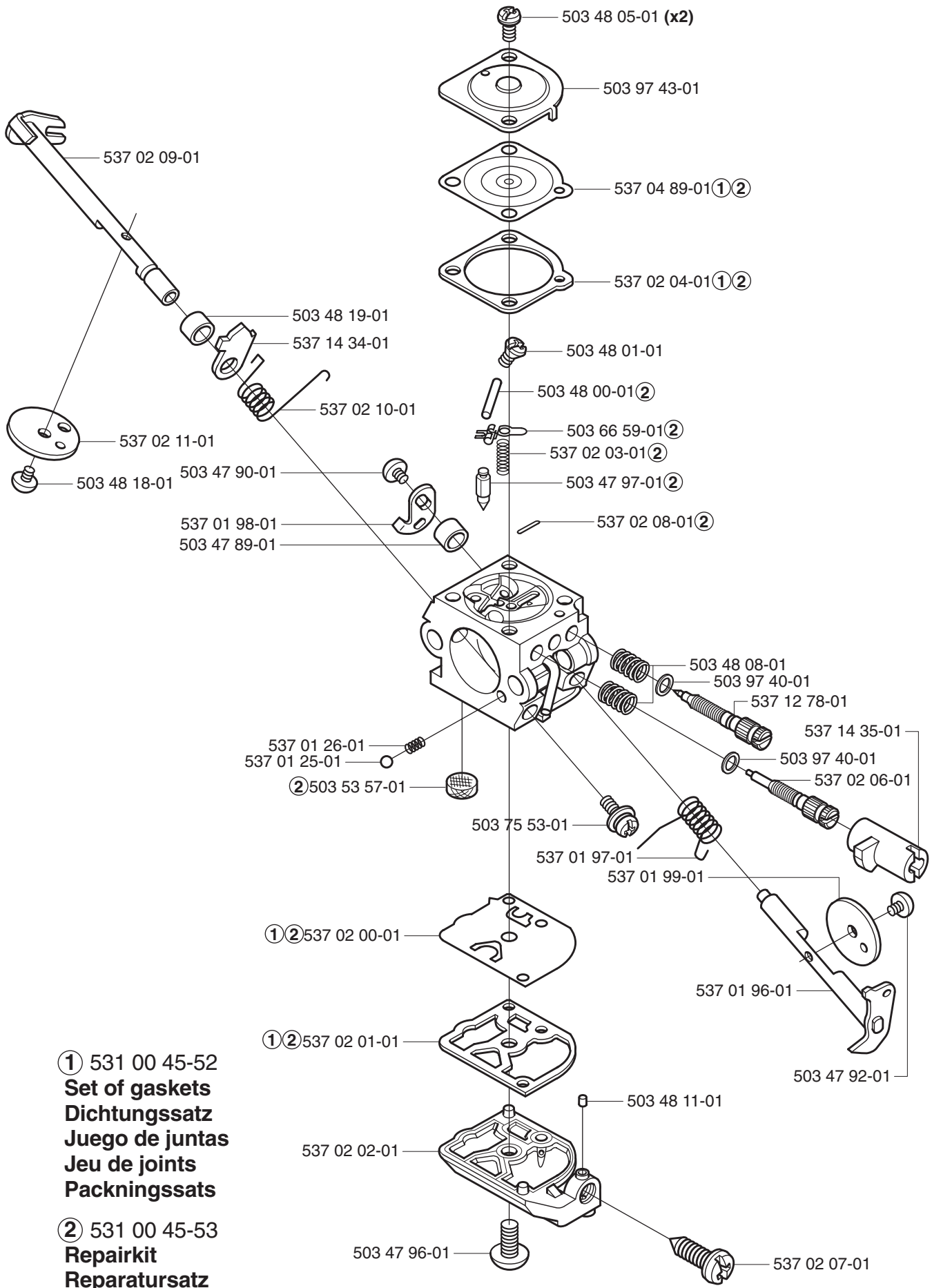
\*compl 537 06 74-73



L

503 73 45-01 (x2) **LOVIB**





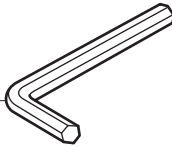
① 531 00 45-52  
**Set of gaskets**  
**Dichtungssatz**  
**Juego de juntas**  
**Jeu de joints**  
**Packningssatz**

② 531 00 45-53  
**Repairkit**  
**Reparatursatz**  
**Juego de reparación**  
**Kit de réparation**  
**Reparationssatz**

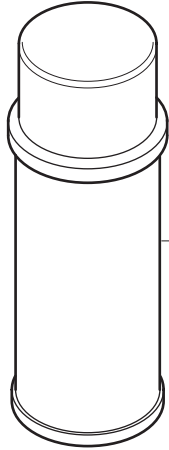
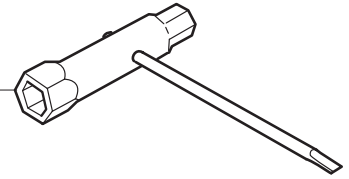
**N** Accessories  
Zubehöre  
Accessoires  
Acessorios  
Tillbehör

\*compl 502 21 60-09

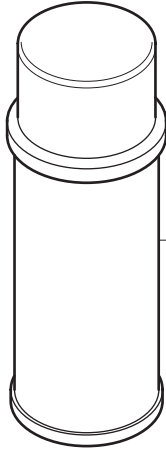
\*502 21 58-01



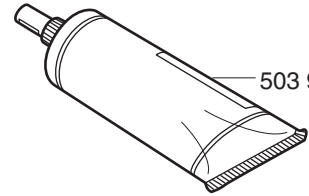
\*501 69 17-01



531 00 75-13 **UL22**



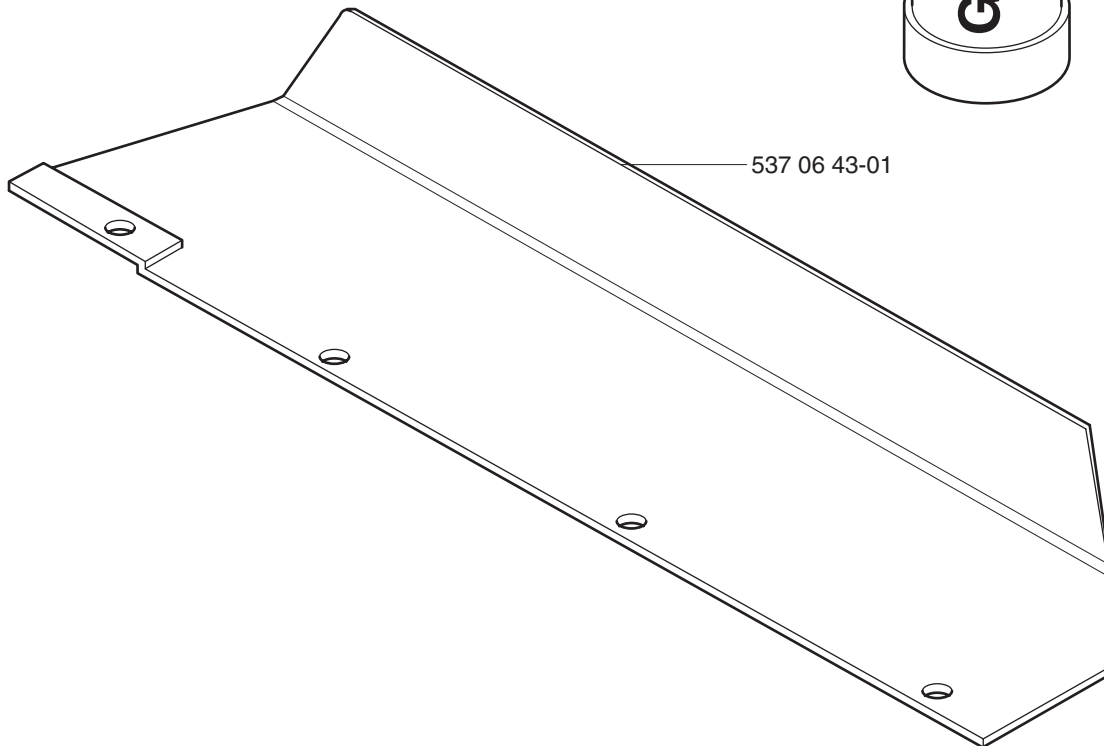
531 00 75-12 **UL21**



503 98 96-01\*



531 00 92-05



537 06 43-01